

# 03. PVC SPIDER POP UP WALL PACKAGE

**COLOUR MODE:** Set to CMYK, we do not print in RGB or Pantone Colours.

**FONTS:** All fonts/typefaces must be embedded or outlined. If you do not embed the fonts they will be substituted by other fonts and your work will no longer look the same.

## **FONTS + TYPEFACES:**

All fonts/typefaces must be embedded or outlined. If you do not embed the fonts they will be substituted by other fonts and your work will no longer look the same.

## **FILE FORMAT WE ONLY ACCEPT:**

- PDF files (High Resolution)
  - InDesign files. InDesign files must be collected and zip as hi resolution
- (All Supplied Files must have - embedded fonts, links and CMYK images used in the artwork)

## **RESOLUTION**

- All images/artwork must be 300 dpi or greater.
- Images must be 300 dpi (dots per inch) when viewed at 100% (converting a lower resolution file to 300 dpi will NOT improve the image!!!). Please note that standard web/internet images are only 72 dpi and are not of a high enough quality for printing. The use of such images may also be a breach of copyright.
- We also require 3mm internal bleed.

## **GENERAL SPEC'S:**

Ensure your graphic designer is working with overprint preview switched on and not off. Otherwise this setting may cause information to disappear when printed. Select Print Solution Pty Ltd is not responsible will be taken.

# Pull Up Banner Specifications

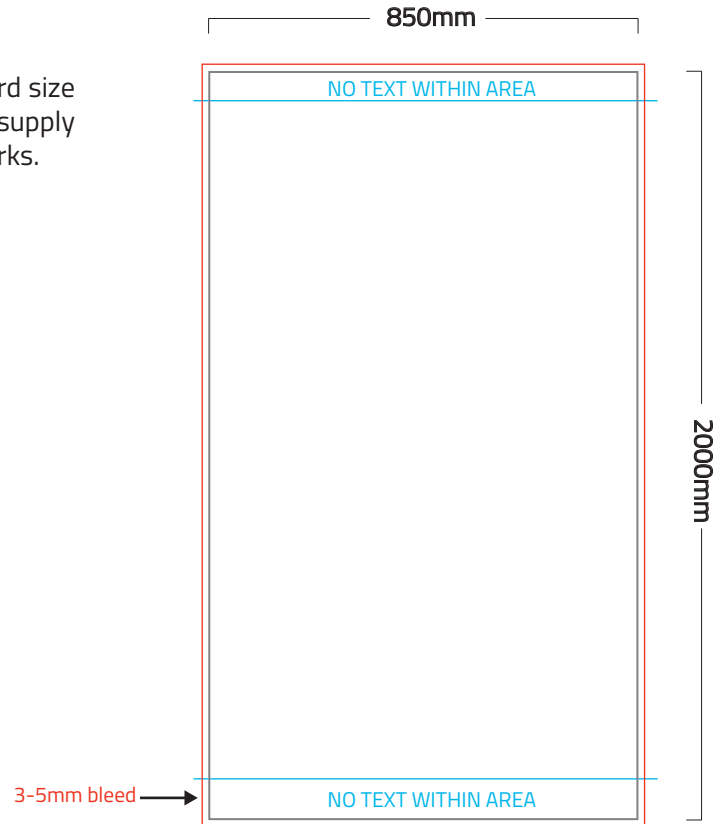
When setting up artwork for Pull Up Banner, ensure artboard size is 850mm (w) x 2000mm (h) with 3-5mm bleed. Please supply artwork as a high resolution pdf file with bleed and crop marks.

**TEXT:** Allow 30mm from the top and 50mm from the bottom. This is for when base is assembled ensuring no text is cut off from base. See Blue Guides.

**COLOUR MODE:** Set to CMYK, we do not print in RGB or Pantone Colours.

**FONT:** All fonts/typefaces must be embedded or outlined. If you do not embed the fonts they will be substituted by other fonts and your work will no longer look the same.

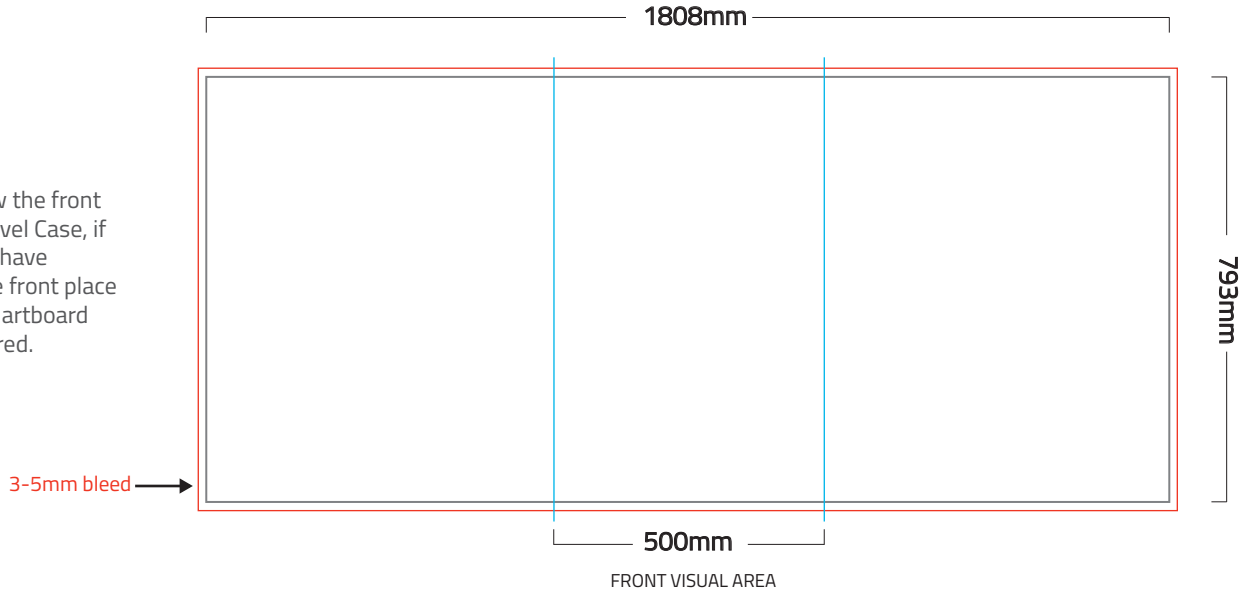
**Artboard Size:** 850mm x 2000mm  
**Bleed:** 3-5mm



# Travel Case Printed Graphic Specifications

When creating printed graphic for your Travel Case, ensure artboard size is 1808mm (w) x 793mm (h) with 3-5mm bleed. Please supply artwork as a high resolution pdf file with bleed and crop marks.

Blue guides show the front visual area of Travel Case, if you wish to only have text/logos on the front place 2 guides on your artboard 500mm (w) centred.



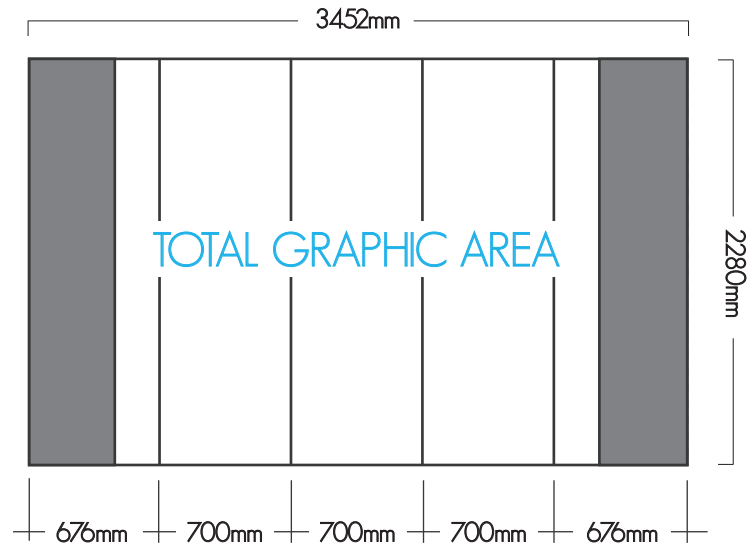
**Artboard Size:** 1808mm x 793mm  
**Bleed:** 3-5mm

# 3x3 Curved Wall Display Unit

When setting up artwork for 3x3 Curved Wall, ensure artboard size is 3452mm (w) x 2280mm (h). Please supply artwork as a high resolution pdf file no bleed or crop marks required.

## USEFUL TIPS FOR ARTWORK SETUP OF CURVED WALL EXPO DISPLAY

- Always supply the artwork as one complete **file**.  
Eg. Not **five** separate files.
- Visual area is 2280 x 2280mm, keep text within area as when panels curve to the back text will not be seen.



**Artboard Size:** 3452mm x 2280mm

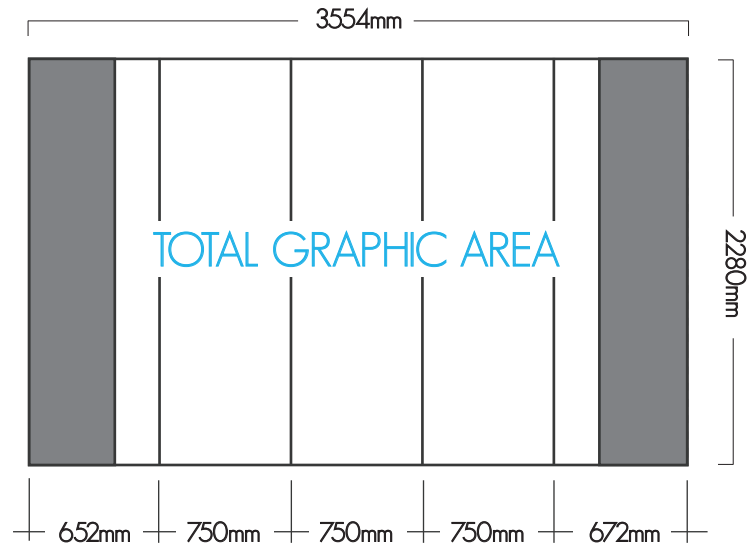
**Bleed:** No bleed required

# 3x3 Straight Wall Display Unit

When setting up artwork for 3x3 Straight Wall, ensure artboard size is 3554mm (w) x 2280mm (h). Please supply artwork as a high resolution pdf file no bleed or crop marks required.

## USEFUL TIPS FOR ARTWORK SETUP OF STRAIGHT WALL EXPO DISPLAY

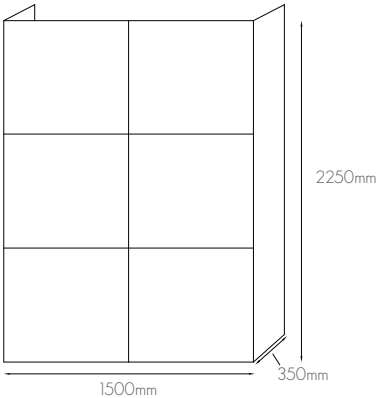
- Always supply the artwork as one complete **file**.  
Eg. Not **five** separate files.
- Visual area is 2280 x 2280mm, keep text within area as when panels curve to the back text will not be seen.



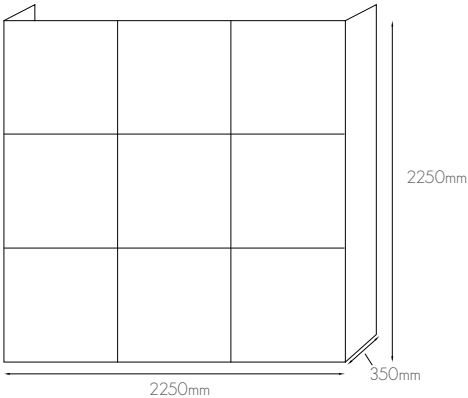
**Artboard Size:** 3554mm x 2280mm

**Bleed:** No bleed required

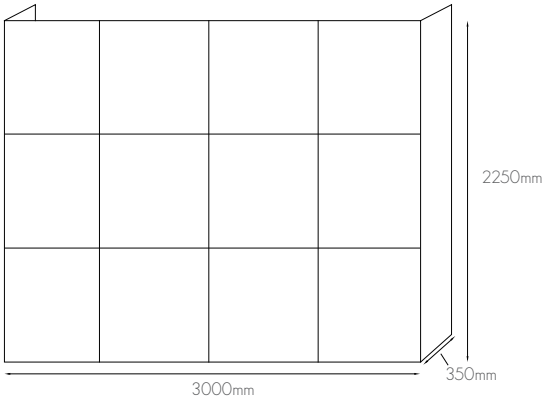
# Fabric Pop Up Skeleton



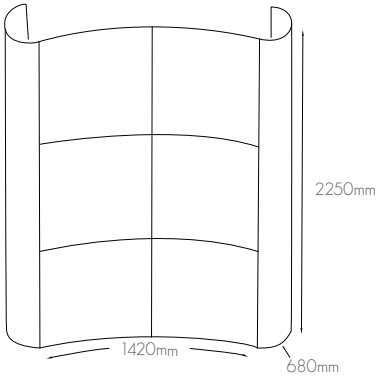
2x3 Straight Wall



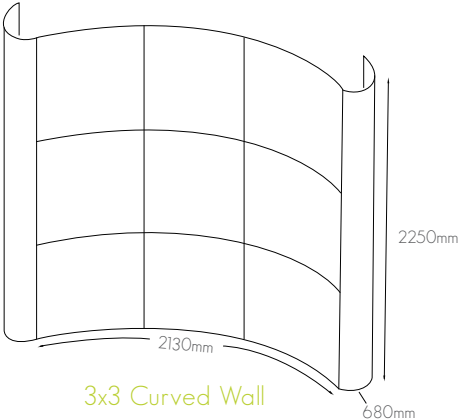
3x3 Straight Wall



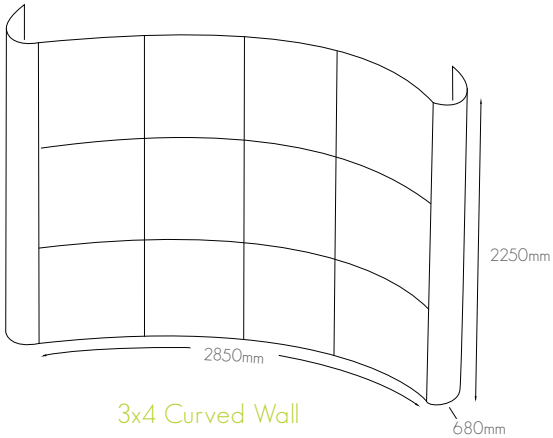
3x4 Straight Wall



2x3 Curved Wall



3x3 Curved Wall



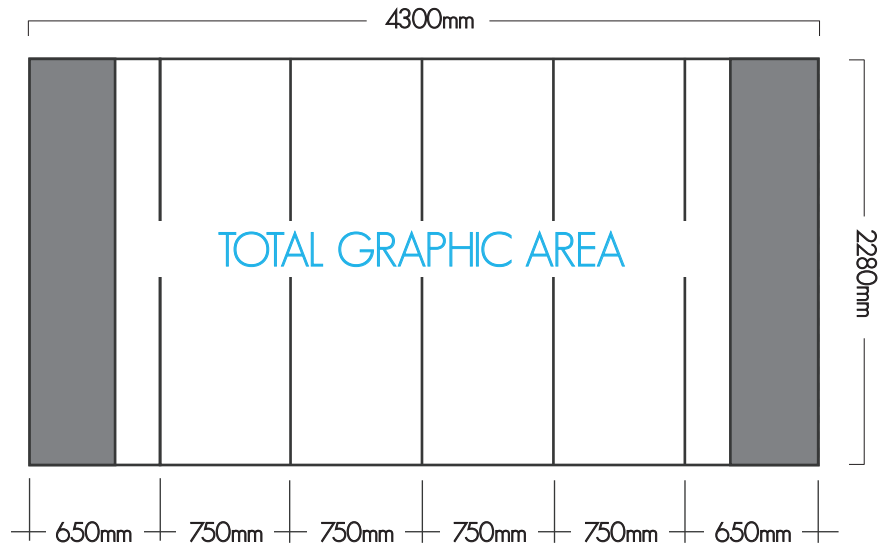
3x4 Curved Wall

# 3x4 Straight Wall Display Unit

When setting up artwork for 3x4 Straight Wall, ensure artboard size is 4300mm (w) x 2280mm (h). Please supply artwork as a high resolution pdf file no bleed or crop marks required.

## USEFUL TIPS FOR ARTWORK SETUP OF CURVED WALL EXPO DISPLAY

- Always supply the artwork as one complete **file**.  
Eg. Not **five** separate files.
- Visual area is 3600mm x 2280mm, keep text within area as when panels curve to the back text will not be seen.



**Artboard Size:** 4300mm x 2280mm

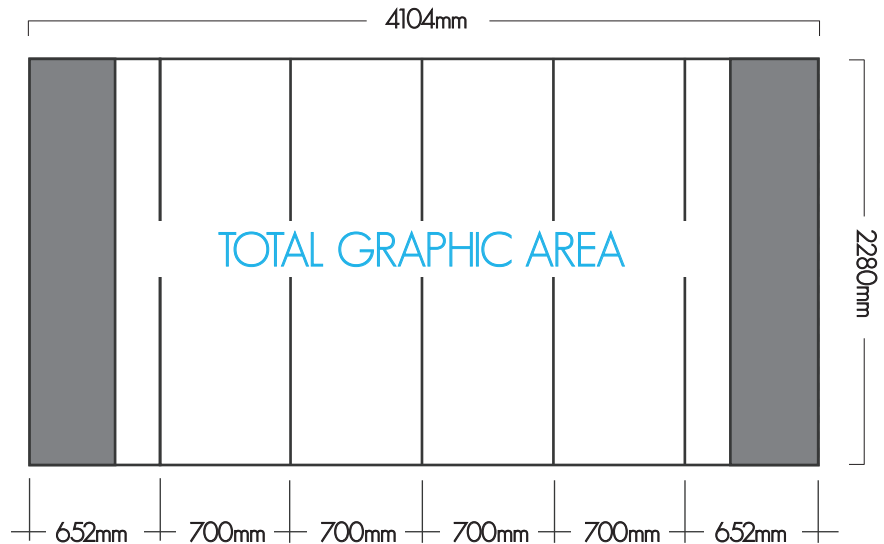
**Bleed:** No bleed required

# 3x4 Curved Wall Display Unit

When setting up artwork for 3x4 Curved Wall, ensure artboard size is 4104mm (w) x 2280mm (h). Please supply artwork as a high resolution pdf file no bleed or crop marks required.

## USEFUL TIPS FOR ARTWORK SETUP OF CURVED WALL EXPO DISPLAY

- Always supply the artwork as one complete file. Eg. Not five separate files.
- Visual area is 3400mm x 2280mm, keep text within area as when panels curve to the back text will not be seen.



**Artboard Size:** 4104mm x 2280mm

**Bleed:** No bleed required